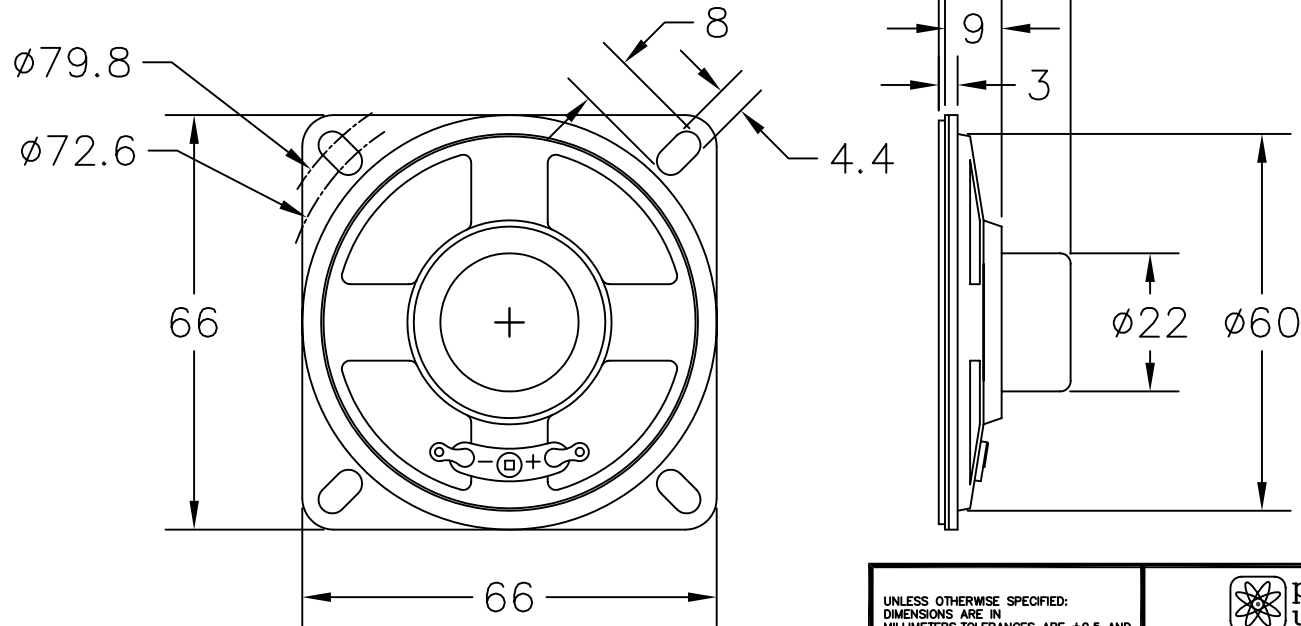


THIS DOCUMENT CONTAINS DATA PROPRIETARY TO PROJECTS UNLIMITED, INC. ANY USE OR REPRODUCTION, IN ANY FORM, WITHOUT PRIOR WRITTEN PERMISSION OF PROJECTS UNLIMITED, INC. IS PROHIBITED.
© 2003, Projects Unlimited Inc.

SPECIFICATIONS

PARAMETERS	VALUES	UNITS
RATED INPUT POWER	.5	W
MAX INPUT POWER	1	W
IMPEDANCE	8±15%	OHM
OUTPUT SPL @ .5W/0.5M (AT 1, 1.4, 1.7, 2 kHz)	94±3	dB
DISTORTION (MAX.)	5%	-
RESONANT FREQUENCY	300±60	Hz
FREQUENCY RANGE	300 ~ 3,100	Hz
HOUSING MATERIAL	METAL	-
CONE MATERIAL	PAPER	-
MAGNET MATERIAL	ALNICO	-
OPERATING TEMPERATURE	-20 ~ +55	°C
WEIGHT	45	grams

REVISIONS			
LTR	DESCRIPTION	DATE	APPROVED
-	RELEASED FROM ENGINEERING	3/31/05	
A	REMOVED LEAD FREE ADDED RoHS NOTE	8/10/05	



NOTES:

1. ALL DIMENSIONS ARE IN MILLIMETERS.
2. SPECIFICATION SUBJECT TO CHANGE OR WITHDRAWAL WITHOUT NOTICE.
3. PART IS RoHS 2002/95/EC COMPLIANT.

FILE NAME
AS06608PS-2-R.DWG

UNLESS OTHERWISE SPECIFIED:
DIMENSIONS ARE IN MILLIMETERS. TOLERANCES ARE ±0.5 AND ANGLES ARE ±3°.



projects®
unlimited

Dayton, Ohio

SPEAKER

APPROVALS	DATE
DRAWN <i>G. V.</i>	3/30/05
CHECKED <i>R. W.</i>	3/31/05
APPROVED <i>E. P.</i>	3/31/05

SIZE
A

DRAWING NO.
AS06608PS-2-R

DO NOT SCALE DRAWING

SCALE: N.T.S.

SHEET 1 OF 1